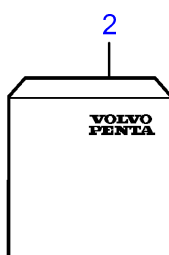
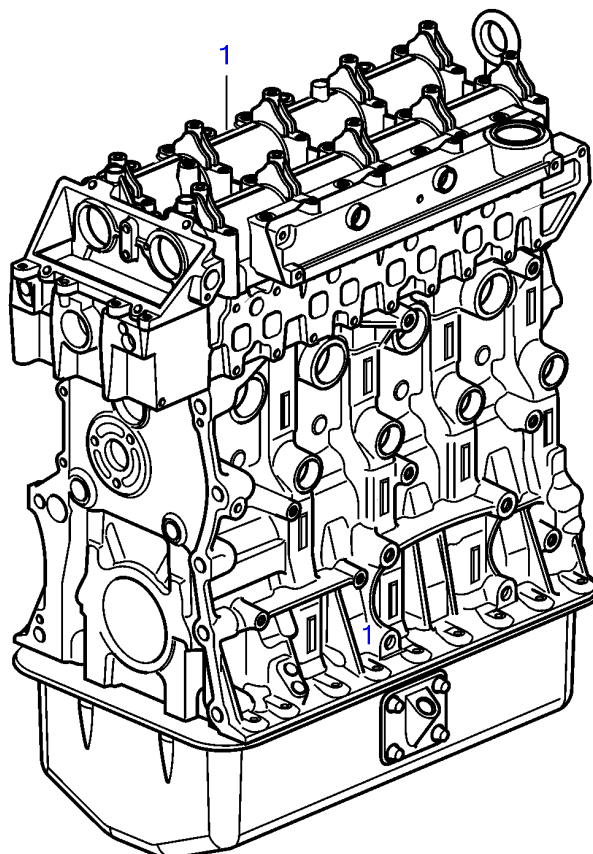
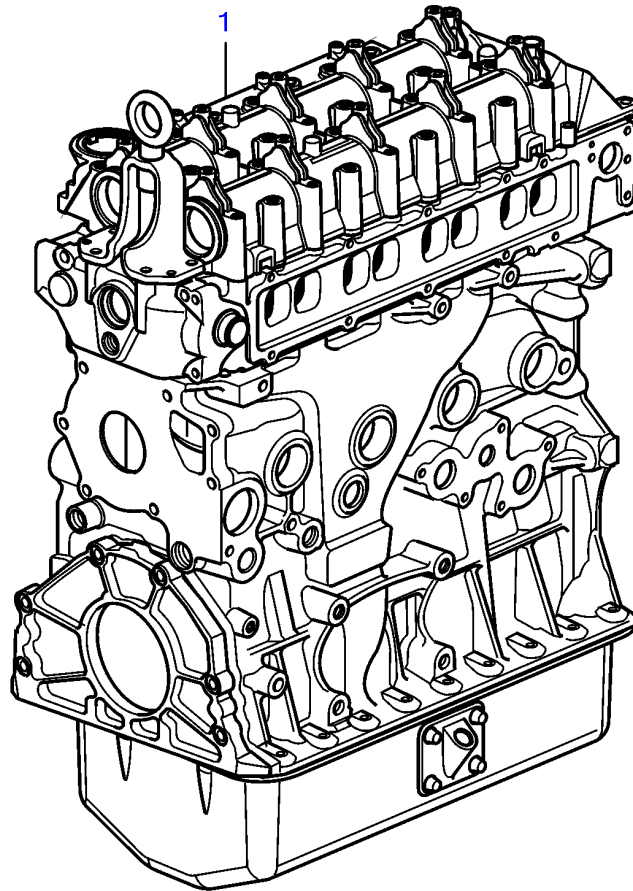


D4-180I-B, D4-180I-C, D4-180I-D, D4-180I-E, D4-210A-A, D4-210I-A, D4-210I-B, D4-225I-B, D4-225A-C, D4-225A-D, D4-225I-C, D4-225I-D, D4-260A-A, D4-260A-B, D4-260A-C, D4-260A-D, D4-260D-B, D4-260D-C, D4-260D-D, D4-260I-A, D4-260I-B, D4-260I-C, D4-260I-D, D4-225A-E, D4-225I-E, D4-260A-E, D4-260D-E, D4-260I-E



25640

D4-180I-B, D4-180I-C, D4-180I-D, D4-180I-E, D4-210A-A, D4-210I-A, D4-210I-B, D4-225I-B, D4-225A-C, D4-225A-D, D4-225I-C, D4-225I-D, D4-260A-A, D4-260A-B, D4-260A-C, D4-260A-D, D4-260D-B, D4-260D-C, D4-260D-D, D4-260I-A, D4-260I-B, D4-260I-C, D4-260I-D, D4-225A-E, D4-225I-E, D4-260A-E, D4-260D-E, D4-260I-E

REF	PART NO.	QTY	DESCRIPTION	SEE SEC.	NOTES
1	3801376	1	Longblock engine		
			• Bulletin P-21-0-20	P-21-0-20-EN	Longblocks for Diesel Engines
			• Bulletin P-21-0-23	P-21-0-23-EN	New Exchange Units for Volvo Penta Engines
2	21181057	1	Connector kit		SN-2004026999